

POWER SPORTS

INTIMIDATOR[®]

AGM

FEATURES AND BENEFITS

- 2x the cycle life* of traditional batteries extends performance and life
- Lower internal resistance ensures higher discharge rates for faster starts
- Superior vibration resistance protects against long trips, off-road travel, and wave-pounding use
- Spillproof design protects user, equipment, and environment
- Low self-discharge rate for long, off-season storage

* Compared to conventional designs



Intimidator Power Sports AGM batteries provide the highest convenience, easiest installation, and best premium maintenance-free performance in the industry with **no activation, no acid filling**, and plenty of power. Protecting the rider and equipment, their advanced AGM design eliminates spills or leaks for added safety. Molded top and side connection terminals provide versatility, increased strength and durability.

Motorcycles, ATVs, UTVs, Snowmobiles, and Personal Watercraft will benefit for many seasons from the high starting and accessory power, longer battery life, and the superior vibration resistance delivered by the Intimidator's intimidating performance.



Intimidator® AGM Solutions for Intimidating Battery Needs

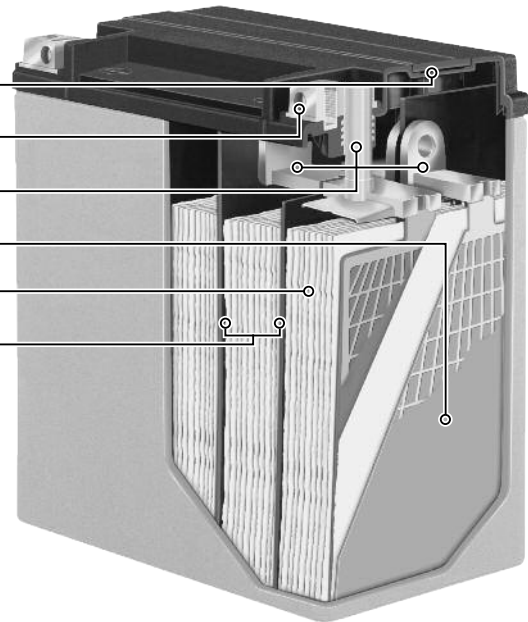
Intimidator is a pioneer brand in the development of the form, fit, and function of AGM battery technology. It has been tested and proven to best meet the demand of even the most extreme power sports enthusiasts.



POWER-PERFORM FULL-FRAME POSITIVE & NEGATIVE PLATES

- Better withstands severe service demands
- Prevents life-robbing electrical shorts from exposed wire

- 1. Safety Relief Valve System** _____ ensures no-leak safety and extends premium performance
 - 2. Molded Top and Side Connection Terminals** _____ provides ease of installation, increased strength, and durability
 - 3. Fortified Posts, Straps, and Welds** _____ resist vibration damage, maximize current transfer
 - 4. Heavy-Duty Power-Perform Plates** _____ optimizes battery's power and energy storage capacity
 - 5. Enhanced Electrolyte Suspension System** _____ completely absorbs electrolyte for spillproof design
 - 6. Optimized Component Compression** _____ provides superior vibration resistance
- **Ultra-Pure Demineralized Electrolyte**
precision filled for extended life
 - **Stainless Steel Terminal Bolts**
(not shown) prevent corrosion on battery and equipment



POWER SPORTS INTIMIDATOR® AGM BATTERIES

PART NO.	PERFORMANCE LEVEL		APPROX. WEIGHT (lbs.)	MAXIMUM OVERALL DIMENSIONS						FOOTNOTES
	CCA @ 0°F	10 AH RATE		Length		Width		Height		
				inch	mm	inch	mm	inch	mm	
POWER SPORTS ABSORBED GLASS MAT (AGM) VALVE REGULATED										
ETX9	120	8	7.1	5 $\frac{5}{8}$	150	3 $\frac{1}{8}$	88	4 $\frac{1}{8}$	106	2,38,39
ETX12	180	10	9.4	5 $\frac{5}{8}$	150	3 $\frac{1}{8}$	88	5 $\frac{1}{8}$	130	2,38,39
ETX14	220	12	12	5 $\frac{5}{8}$	150	3 $\frac{1}{8}$	88	5 $\frac{3}{4}$	145	2,38,39,42,75
ETX14L	220	12	12	5 $\frac{5}{8}$	150	3 $\frac{1}{8}$	88	5 $\frac{3}{4}$	145	2,38,39
ETX15	220	14	11	5 $\frac{1}{4}$	134	3 $\frac{1}{2}$	90	6 $\frac{1}{8}$	166	2,38,39,42,76
ETX15L	220	14	11	5 $\frac{1}{4}$	134	3 $\frac{1}{2}$	90	6 $\frac{1}{8}$	166	2,38,39
ETX16	325	19	17	6 $\frac{1}{8}$	175	4	100	6 $\frac{1}{8}$	155	2,38,39,42,74
ETX16L	325	19	17	6 $\frac{1}{8}$	175	4	100	6 $\frac{1}{8}$	155	2,38,39,42,74
ETX18L	340	20	18	8 $\frac{1}{8}$	206	3 $\frac{3}{8}$	91	6 $\frac{1}{8}$	163	2,38,39
ETX20L	310	17.5	15.5	6 $\frac{1}{8}$	175	3 $\frac{1}{8}$	88	6 $\frac{1}{8}$	155	2,38,39
ETX30LA	400	26	21.7	6 $\frac{1}{8}$	168	5 $\frac{3}{8}$	131	7 $\frac{3}{4}$	197	2,38,39,78

FOOTNOTES: 2. Black cover / Gray case 38. "Non-spillable" defined by DOT (Department of Transportation) definitions 39. "Non-spillable" defined by ICAO (International Commercial Airline Organization) and IATA (International Airline Transport Association) definitions 42. Height without adapter 74. Shipped with 20mm adapter 75. Shipped with two (2) 17mm adapters 76. Shipped with 10mm adapter 78. Shipped with 22mm height adapter X. 3/8" x 1/16" stainless steel stud posts

Experience Quality at its Core

East Penn's A³™ Advanced-Cubed precision-focused manufacturing approach ensures the process behind the technology delivers core quality at each stage of battery production. INTIMIDATOR batteries are supported by A³ manufacturing to optimize the life, power, and durability of the battery's design and performance.



EAST PENN manufacturing co., inc.

Lyon Station, PA 19536-0147 • Phone: 610-682-6361 • Fax: 610-682-4781
Order Department Hotline: 610-682-4231 • www.dekabatteries.com

